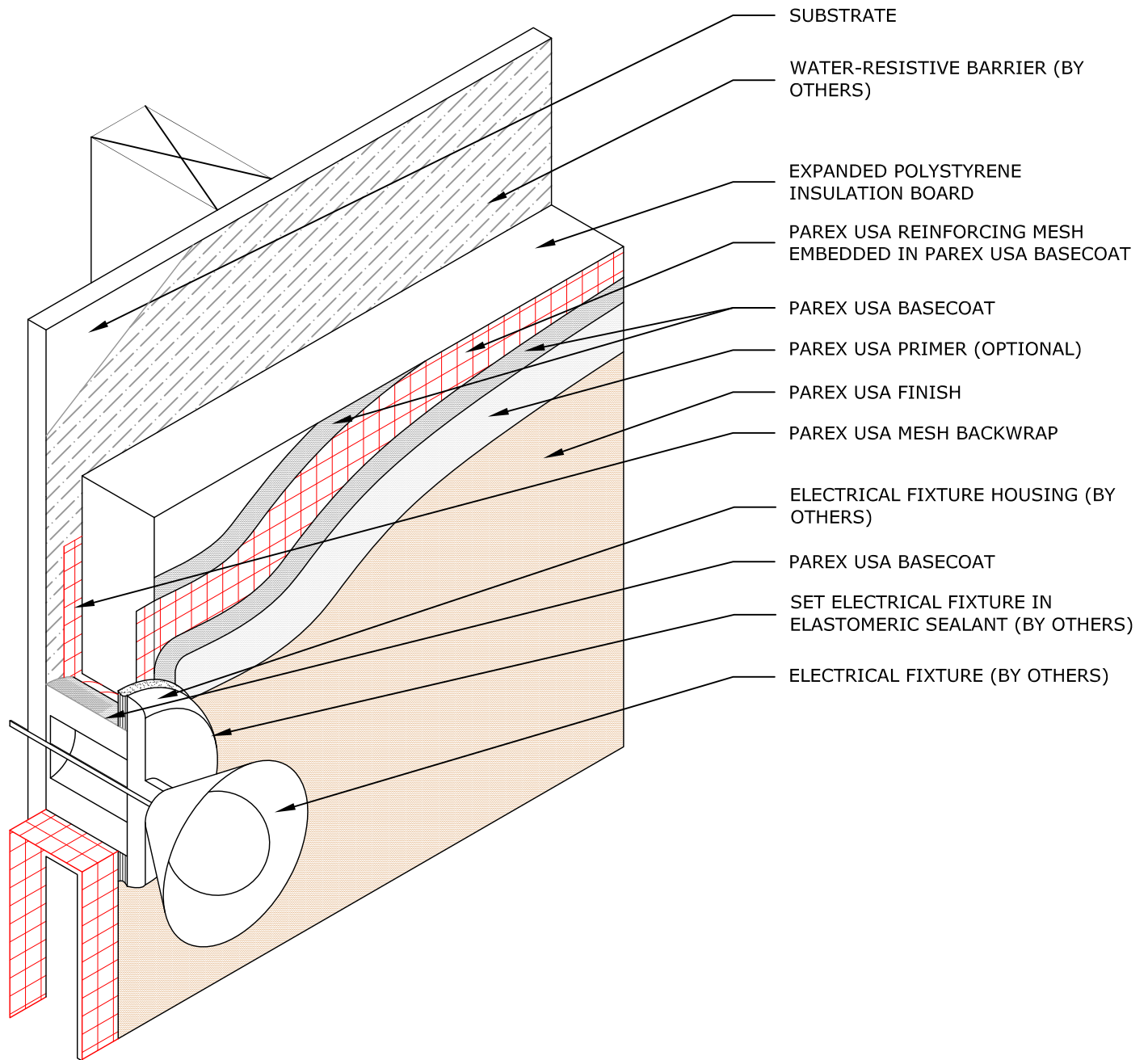


LaHabra® INSUL-FLEX WATERMASTER LCR SYSTEM



IF LCR P1.05 TERMINATION @ ELECTRICAL FIXTURE (BY OTHERS)

INSUL-FLEX WATERMASTER LCR SYSTEM

NOTES: 1. See G 1.01 A, B or C for Drainage Options.

Disclaimer: The design, specifications, and construction shall comply with all local building codes and standards. Parex USA installation guidelines are for general information and guidance only and Parex USA specifically disclaims any liability for the use of this design, and for design, engineering, or workmanship of any project. The assembly shall be designed to prevent condensation within the assembly. The designer and the user shall provide final drawings and specifications. Products shown other than those manufactured by Parex USA are shown for clarity of the Parex USA product only. Contact the manufacturer of such other products for installation instructions.